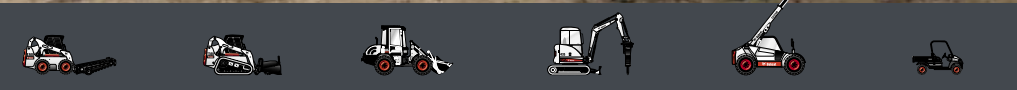




Bobcat[®]

S130

Compact Loaders



Machine Rating

Rated operating capacity	597 kg
Tipping capacity	1195 kg
Pump capacity	64 l/min
System relief at quick couplers	182.7–189.6 bar
Max. travel speed	11,8 km/h

Engine

Make / Model	Kubota / V2203-M-DI-E2B-BC-3
Fuel / Cooling	Diesel / Liquid
Maximum power	34.3 kW
Torque	150 Nm
Number of cylinders	4
Displacement	2.2 l
Fuel tank capacity	50.3 l

Weights

Operating weight	2465 kg
------------------	---------

Controls

Vehicle steering	Direction and speed controlled by two hand levers
Loader hydraulics tilt and lift	Separate foot pedals or optional Advanced Control System (ACS) or Selectable Joystick Controls (SJC)
Front auxiliary (standard)	Electrical switch on right-hand steering lever

Drive System

Transmission	Infinitely variable tandem hydrostatic piston pumps, driving two fully reversing hydrostatic motors
--------------	---

Standard Features

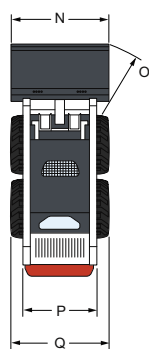
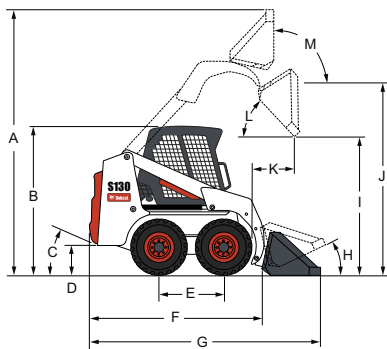
High-back cushion suspension seat	Instrumentation
Automatically activated glow-plugs	Lift arm support
Bob-Tach™ frame	Operating lights, front and rear
Bobcat Interlock Control System (BICS)	Parking brake
Deluxe operator cab Includes interior cab foam, side, top and rear windows	Seat belt
Electrically activated proportional front auxiliary hydraulics	Seat bar
Engine/hydraulics system shutdown	Spark arrestor muffler
	10 x 16.5, 8-ply, Bobcat standard duty tyres
	CE certification

* Roll Over Protective Structure (ROPS) – meets requirements of SAE-J1040 and ISO 3471; Falling Object Protective Structure (FOPS) - meets requirements of SAE-J1043 and ISO 3449, Level I

Options

Deluxe instrument panel	10 x 16.5, 10-ply, Heavy duty tyres, offset rims
Power Bob-Tach™	10 x 16.5, 10-ply, Severe duty tyres
Cab enclosure with heat	10 x 16.5, 10-ply, Severe duty poly filled tyres
Hydraulic bucket positioning	Advanced Control System (ACS)
31 x 12-16.5, 10-ply, Superflotation tyres	Advanced Hand Controls (AHC)
10 x 16.5, 10-ply, Heavy duty tyres	Selectable Joystick Controls (SJC)

Dimensions



(A)	3543 mm	(J)	2781 mm
(B)	1964 mm	(K)	575 mm
(C)	23°	(L)	40°
(D)	188 mm	(M)	96°
(E)	900 mm	(N)	1398 mm
(F)	2432 mm	(N)	1575 mm
(G)	3152 mm	(N)	1880 mm
(H)	25°	(O)	1745 mm
(I)	2100 mm	(P)	— mm
		(P)	1165 mm
		(P)	— mm
		(Q)	1355 mm
		(Q)	1490 mm
		(Q)	1670 mm

Attachments

- Angle blade
- Angle broom*†
- Auger
- Backhoe
- Buckets
- Brush cutter
- Chipper*
- Combination bucket
- Digger
- Dumper
- Feeding bucket
- Front scarifier
- Grader*
- Grapples and forks
- Hydraulic breaker**
- Hydraulic fork positioner
- Landplane
- Landscape rake
- Pallet forks
- Planer*
- Rear stabiliser
- Rotary mower
- Salt and sand spreader
- Scarifier
- Snow blower*
- Sod layer*
- Stump grinder*
- Super scraper
- Sweeper
- Three-point hitch
- Tiller
- Tilt-Tatch™
- Tracks
- Trencher
- Vibratory roller

*Attachment control kit required.

**When operating the loader with this attachment, a Special Applications Kit, which includes a 12 mm Lexan front door with 6 mm top and rear windows, must be used.

†Optional water kit.



www.bobcat.eu